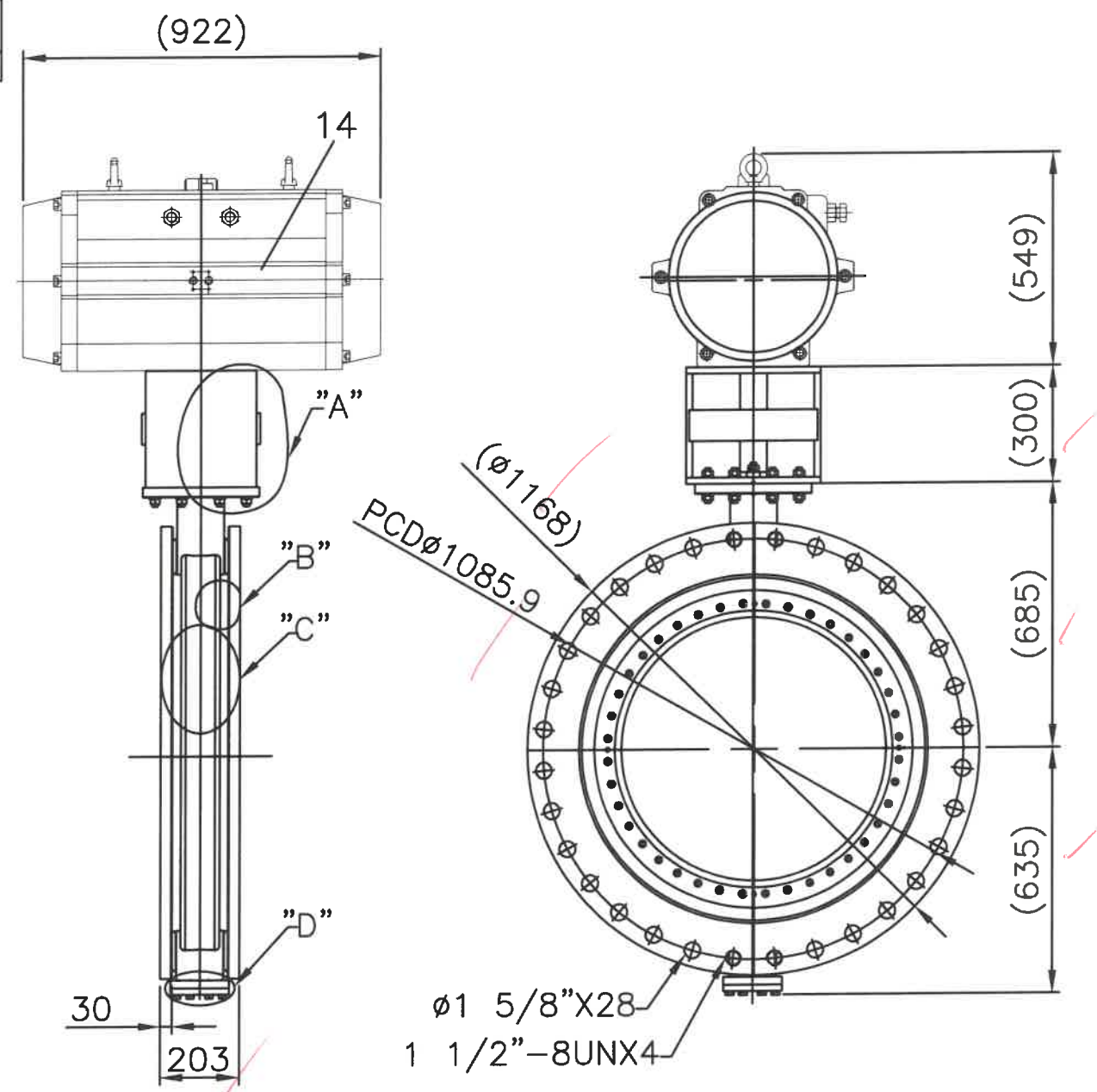
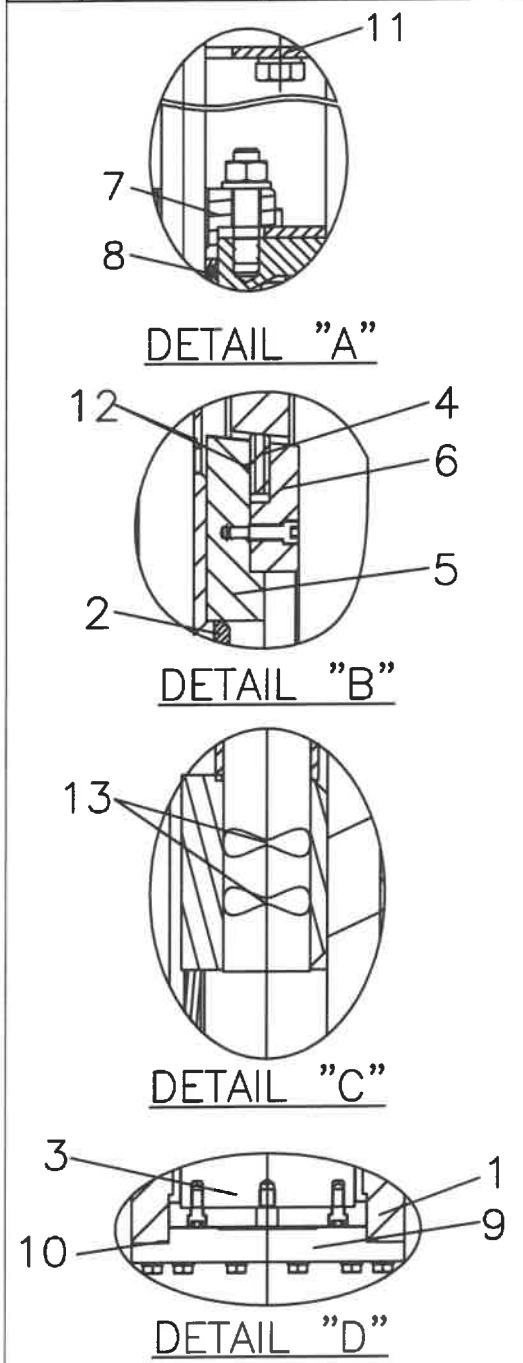


REFER DIMENSIONS MACHINED DIMENSION	TOLERANCE
0~400	±2
400~800	±3
800	±4
REFER DIMENSIONS ASSEMBLY DIMENSION	TOLERANCE
(ALL DIMENSION)	±20

Approved 7/12/24
Dennis Zennell



UNIT: <input type="checkbox"/> MPa <input type="checkbox"/> bar <input type="checkbox"/> PSI <input type="checkbox"/> Kg/cm ²
MAX WORKING PRESS
SHELL TEST
SEAT TEST
TEST FLUID

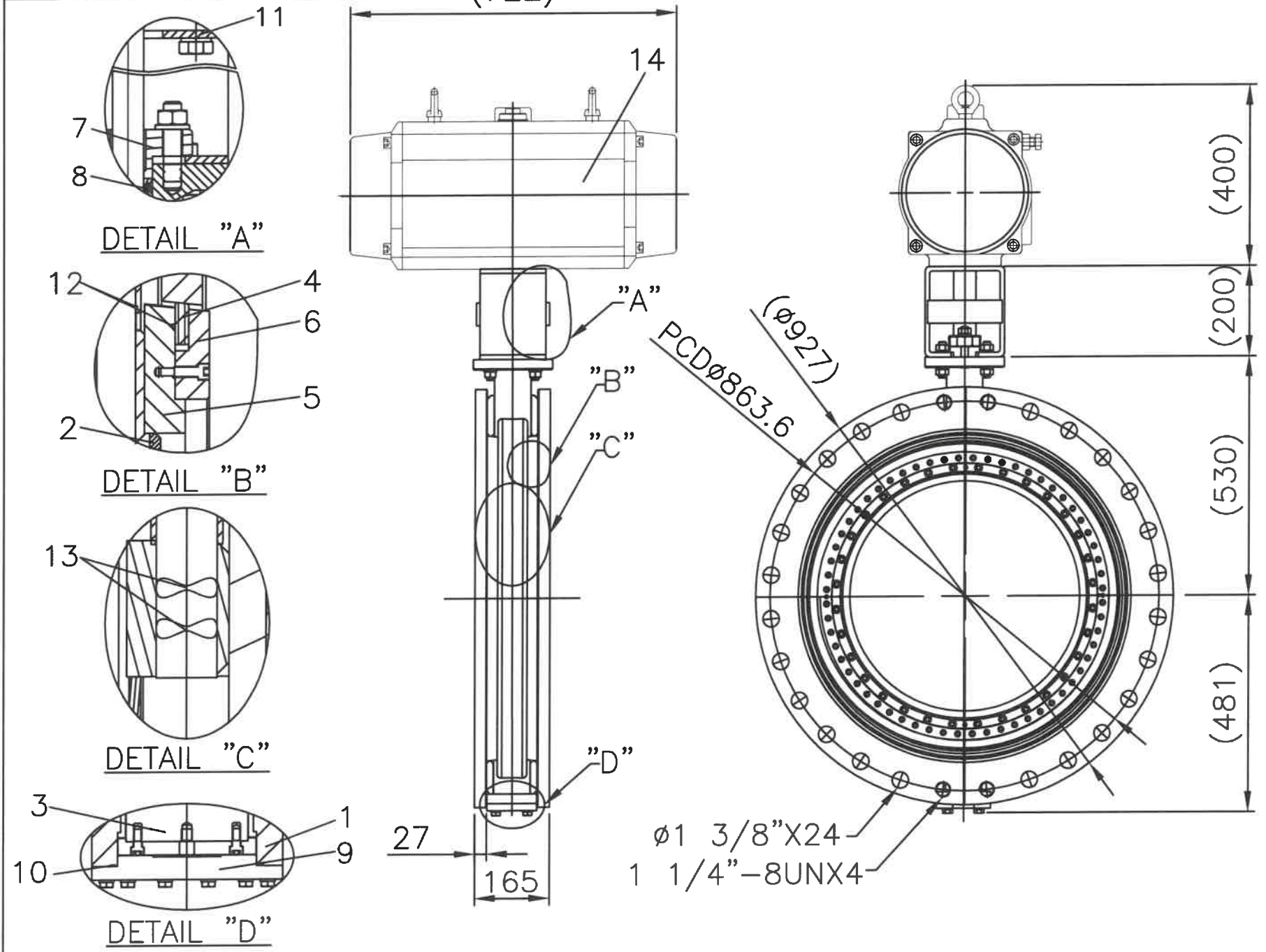
14	ACTUATOR	1	RPC-400SR10
13	PIN	3	SAME AS SHAFT
12	GASKET	1	GRAPHITE
11	YOKE	1	ASTM A240 316
10	BOTTOM PACKING	1	GRAPHITE
9	BOTTOM COVER	1	ASTM A240 316
8	GLAND PACKING	1	GRAPHITE
7	GLAND	1	ASTM A351 CF8M
6	BODY RETAINER	1	ASTM A240 316
5	DISC RETAINER	1	ASTM A240 316
4	SEAT	1	ASTM A240 316+GRAPHITE
3	SHAFT	2	ASTM A182 F316
2	DISC	1	ASTM A240 316
1	BODY	1	ASTM A240 316

ITEM NO.	PART NAME	Q'TY	MATERIAL
----------	-----------	------	----------

	Butterfly Valves & Controls Inc 671 Industrial Blvd Grapevine, Texas 76051 -www.bvcusa.com	DESN BY	CHK BY	AUTH BY	ISSUE DATE	VF-393 DAMPER VALVE						
		POCKY	XIANG	STONE	2024.07.11	36 in PNEUMATIC OPERATED						
		2024.07.11	2024.07.11	2024.07.11		ASME B16.47 CLASS 150 SERIES A						
					MATERIAL	SCALE	1/19	SIZE A4	DRAWING NO	D393090MC400-EX	REV	0
						UNIT	mm					

Approved 7/12/24
James Bevell

REFER DIMENSIONS MACHINED DIMENSION	TOLERANCE
0~400	±2
400~800	±3
800	±4
REFER DIMENSIONS ASSEMBLY DIMENSION	TOLERANCE
(ALL DIMENSION)	±20



UNIT: <input type="checkbox"/> MPa <input type="checkbox"/> bar <input type="checkbox"/> PSI <input type="checkbox"/> Kg/cm ²
MAX WORKING PRESS
SHELL TEST
SEAT TEST
TEST FLUID

14	ACTUATOR	1	RPC-270SR11
13	PIN	3	SAME AS SHAFT
12	GASKET	1	GRAPHITE
11	YOKE	1	ASTM A240 316
10	BOTTOM PACKING	1	GRAPHITE
9	BOTTOM COVER	1	ASTM A240 316
8	GLAND PACKING	1	GRAPHITE
7	GLAND	1	ASTM A351 CF8M
6	BODY RETAINER	1	ASTM A240 316
5	DISC RETAINER	1	ASTM A240 316
4	SEAT	1	ASTM A240 316+GRAPHITE
3	SHAFT	2	ASTM A182 F316
2	DISC	1	ASTM A240 316
1	BODY	1	ASTM A240 316

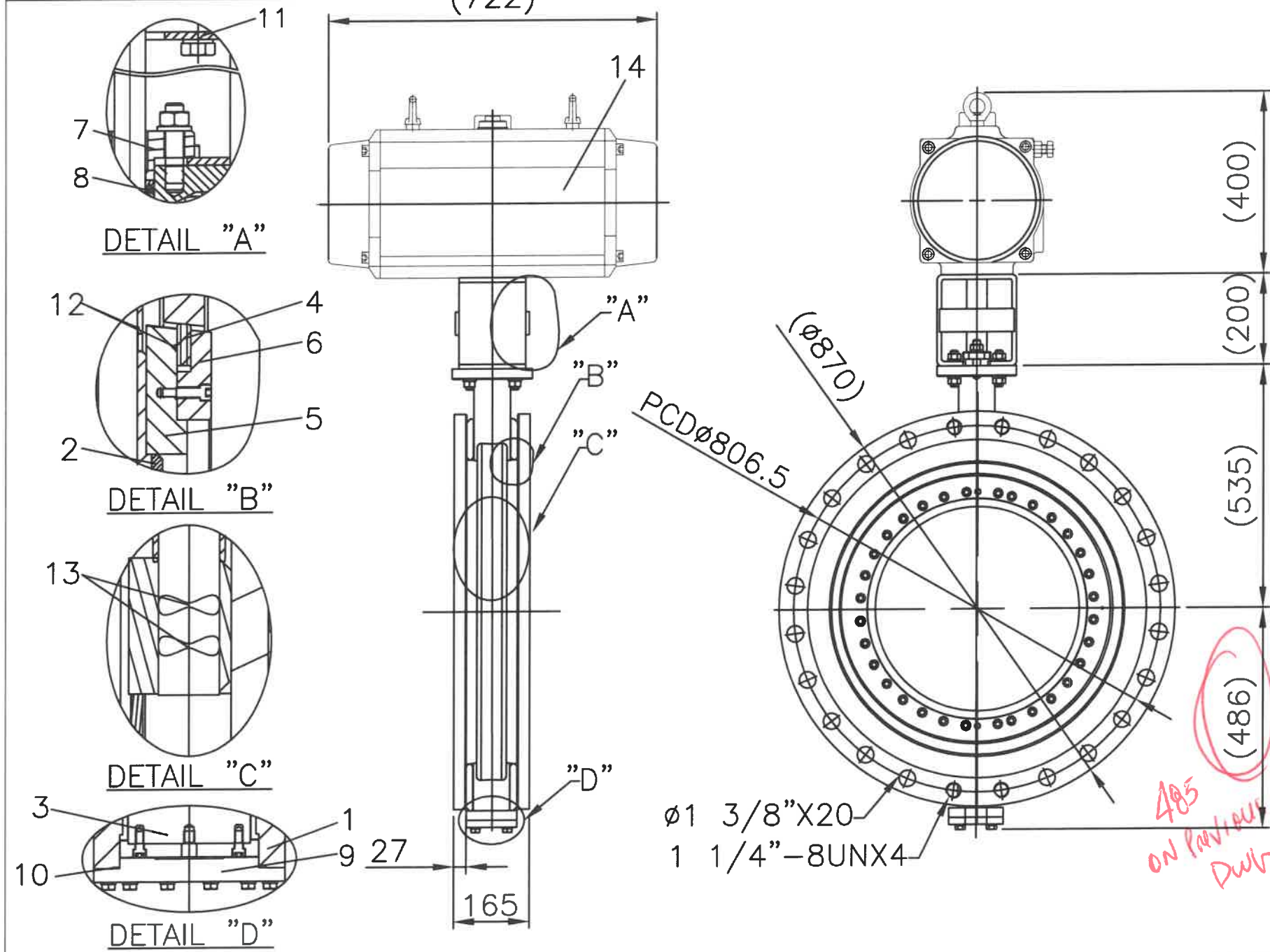
ITEM NO.	PART NAME	Q'TY	MATERIAL
----------	-----------	------	----------

	Butterfly Valves & Controls Inc 671 Industrial Blvd Grapevine, Texas 76051 www.bvcusa.com	DESN BY	CHK BY	AUTH BY	ISSUE DATE	2024.07.11				
		MATERIAL	SCALE	1/15			VF-393 DAMPER VALVE			
		UNIT	mm			28 in PNEUMATIC OPERATED ASME B16.47 CLASS 150 SERIES A				
SIZE A4	DRAWING NO	D393070MC270-EX		REV	1					

POCKY	XIANG	STONE	2024.07.11	2024.07.11	2024.07.11
-------	-------	-------	------------	------------	------------

REFER DIMENSIONS MACHINED DIMENSION	TOLERANCE
0~400	±2
400~800	±3
800	±4
REFER DIMENSIONS ASSEMBLY DIMENSION	TOLERANCE
(ALL DIMENSION)	±20

SEE CIRCLED ITEMS



UNIT: <input type="checkbox"/> MPa <input type="checkbox"/> bar <input type="checkbox"/> PSI <input type="checkbox"/> Kg/cm ²
MAX WORKING PRESS
SHELL TEST
SEAT TEST
TEST FLUID

14	ACTUATOR	1	RPC-270SR9
13	PIN	3	SAME AS SHAFT
12	GASKET	1	GRAPHITE
11	YOKE	1	ASTM A240 316
10	BOTTOM PACKING	1	GRAPHITE
9	BOTTOM COVER	1	ASTM A240 316
8	GLAND PACKING	1	GRAPHITE
7	GLAND	1	ASTM A351 CF8M
6	BODY RETAINER	1	ASTM A240 316
5	DISC RETAINER	1	ASTM A240 316
4	SEAT	1	ASTM A240 316+GRAPHITE
3	SHAFT	2	ASTM A182 F316
2	DISC	1	ASTM A240 316
1	BODY	1	ASTM A240 316

ITEM NO.	PART NAME	Q'TY	MATERIAL
----------	-----------	------	----------

	Butterfly Valves & Controls Inc 671 Industrial Blvd Grapevine, Texas 76051 www.bvcusa.com	DESN BY	CHK BY	AUTH BY	ISSUE DATE	2024.07.11					
		POCKY	XIANG	STONE	MATERIAL						
		2024.07.11	2024.07.11	2024.07.11	SCALE	1/15					
			UNIT	mm	SIZE A4	DRAWING NO	D393065MC270-EX	REV	0	VF-393 DAMPER VALVE 26" 24 in PNEUMATIC OPERATED ASME B16.47 CLASS 150 SERIES A	