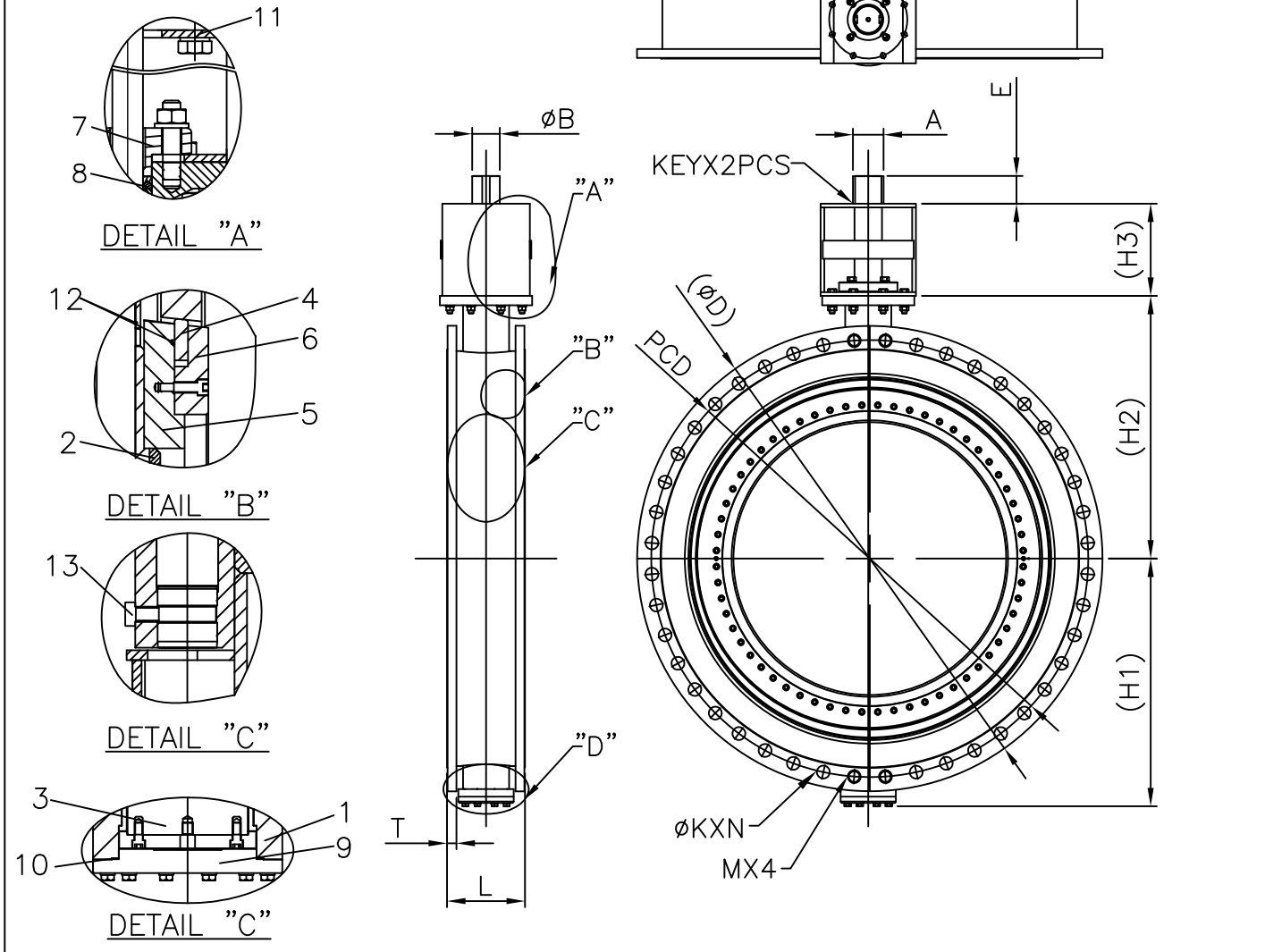


REFER DIMENSIONS MACHINED DIMENSION	TOLERANCE	SIZE	L	H1	H2	H3	E	φB	KEY	A	O	P	D	T	PCD	M	K	N
0~400	±2	900	203	635	685	300	70	69.7	18*12	78.7	254	18	1168	30	1085.9	1 1/2"-8UN	42	28
400~800	±3	1200	254	805	855	300	90	89.5	25*14	99.5	254	18	1511	30	1422.4	1 1/2"-8UN	42	40
800	±4																	
REFER DIMENSIONS ASSEMBLY DIMENSION (ALL DIMENSION)	TOLERANCE																	
	±20																	



UNIT: MPa bar PSI Kg/cm<sup>2</sup>

MAX WORKING PRESS	
SHELL TEST	
SEAT TEST	
TEST FLUID	

13	BOLT	2	ASTM A194 8
12	GASKET	1	GRAPHITE
11	YOKE	1	ASTM A36
10	BOTTOM PACKING	1	GRAPHITE
9	BOTTOM COVER	1	ASTM A240 316
8	GLAND PACKING	1	GRAPHITE
7	GLAND	1	ASTM A351 CF8M
6	BODY RETAINER	1	ASTM A240 316
5	DISC RETAINER	1	ASTM A240 316
4	SEAT	1	ASTM A240 316+GRAPHITE
3	SHAFT	2	ASTM A182 F316
2	DISC	1	ASTM A240 316
1	BODY	1	ASTM A240 316

	<b>BUTTERFLY VALVES &amp; CONTROLS INC</b> Grapevine, Texas	DESN BY	CHK BY	AUTH BY	ISSUE DATE	VF-393 DAMPER VALVE					
		POCKY	XIANG	STONE	2024.03.12	φ900mm, φ1200mm BARE SHAFT					
		2024.03.12	2024.03.12	2024.03.12		ASME B16.47 CLASS 150 SERIES A					
						SCALE	1/22	SIZE A4	DRAWING NO	D3933648N01	REV
					UNIT	mm					