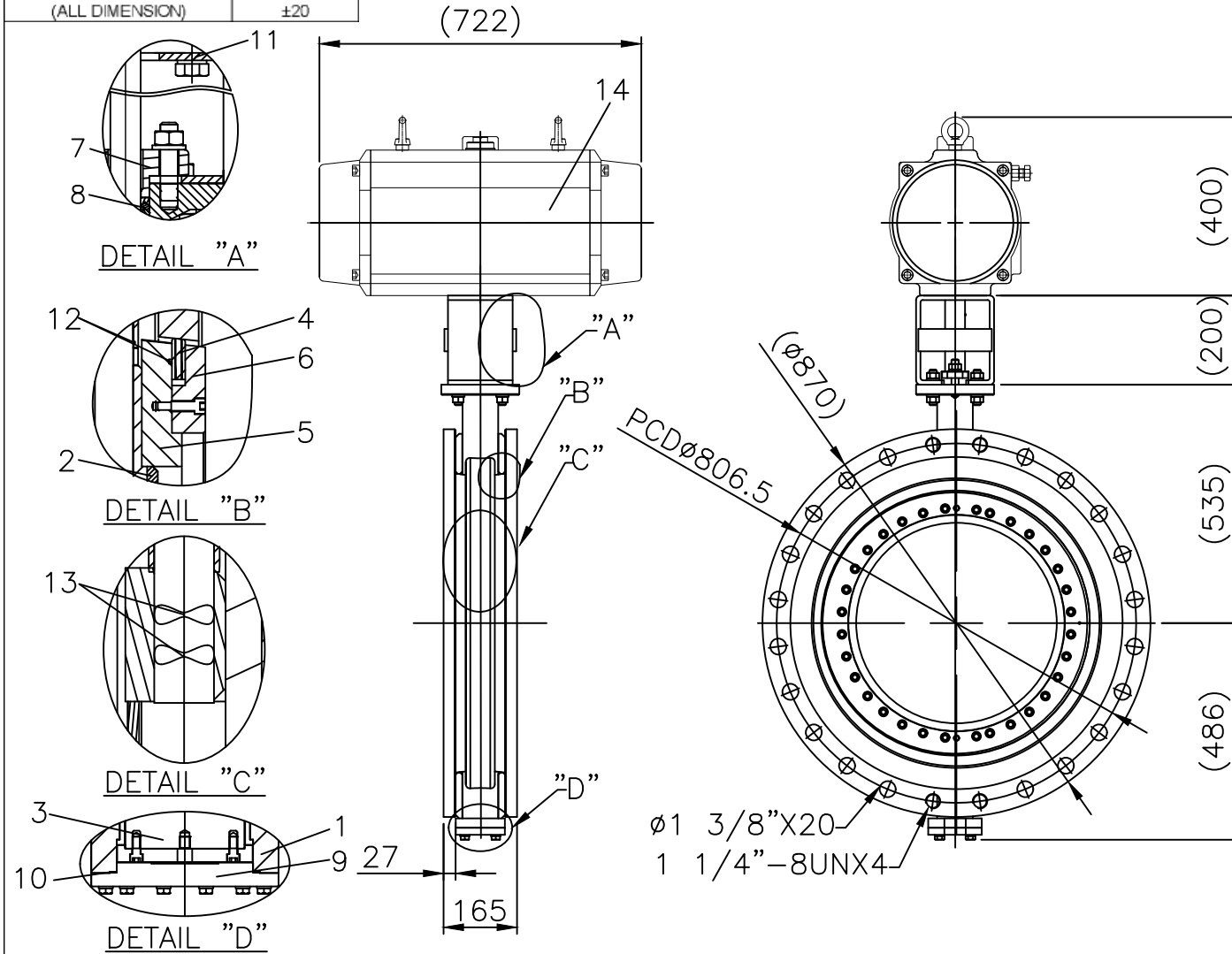



REFER DIMENSIONS MACHINED DIMENSION	TOLERANCE
0~400	±2
400~800	±3
800	±4
REFER DIMENSIONS ASSEMBLYING DIMENSION	TOLERANCE
(ALL DIMENSION)	±20



UNIT: <input type="checkbox"/> MPa <input type="checkbox"/> bar <input type="checkbox"/> PSI <input type="checkbox"/> Kg/cm ²
MAX WORKING PRESS
SHELL TEST
SEAT TEST
TEST FLUID

14	ACTUATOR	1	RPC-270SR9
13	PIN	3	SAME AS SHAFT
12	GASKET	1	GRAPHITE
11	YOKE	1	ASTM A240 316
10	BOTTOM PACKING	1	GRAPHITE
9	BOTTOM COVER	1	ASTM A240 316
8	GLAND PACKING	1	GRAPHITE
7	GLAND	1	ASTM A351 CF8M
6	BODY RETAINER	1	ASTM A240 316
5	DISC RETAINER	1	ASTM A240 316
4	SEAT	1	ASTM A240 316+GRAPHITE
3	SHAFT	2	ASTM A182 F316
2	DISC	1	ASTM A240 316
1	BODY	1	ASTM A240 316
ITEM NO.	PART NAME	Q'TY	MATERIAL



VALUE VALVES CO., LTD.
 NO.9, CHUNG SHAN RD., TEL: +886-2-22698000
 TU-CHENG INDUSTRIAL DISTRICT, FAX: +886-2-22686600
 NEW TAIPEI CITY, TAIWAN 236 www.valuevalves.com

DESIGN BY	CHK BY	AUTH BY	ISSUE DATE	2024.07.11
POCKY	XIANG	STONE	MATERIAL	
2024.07.11	2024.07.11	2024.07.11	SCALE	1/15
			UNIT	mm

VF-393 DAMPER VALVE			
ø650mm PNEUMATIC OPERATED			
ASME B16.47 CLASS 150 SERIES A			
SIZE A4	DRAWING NO	D393065MC270-EX	REV 0