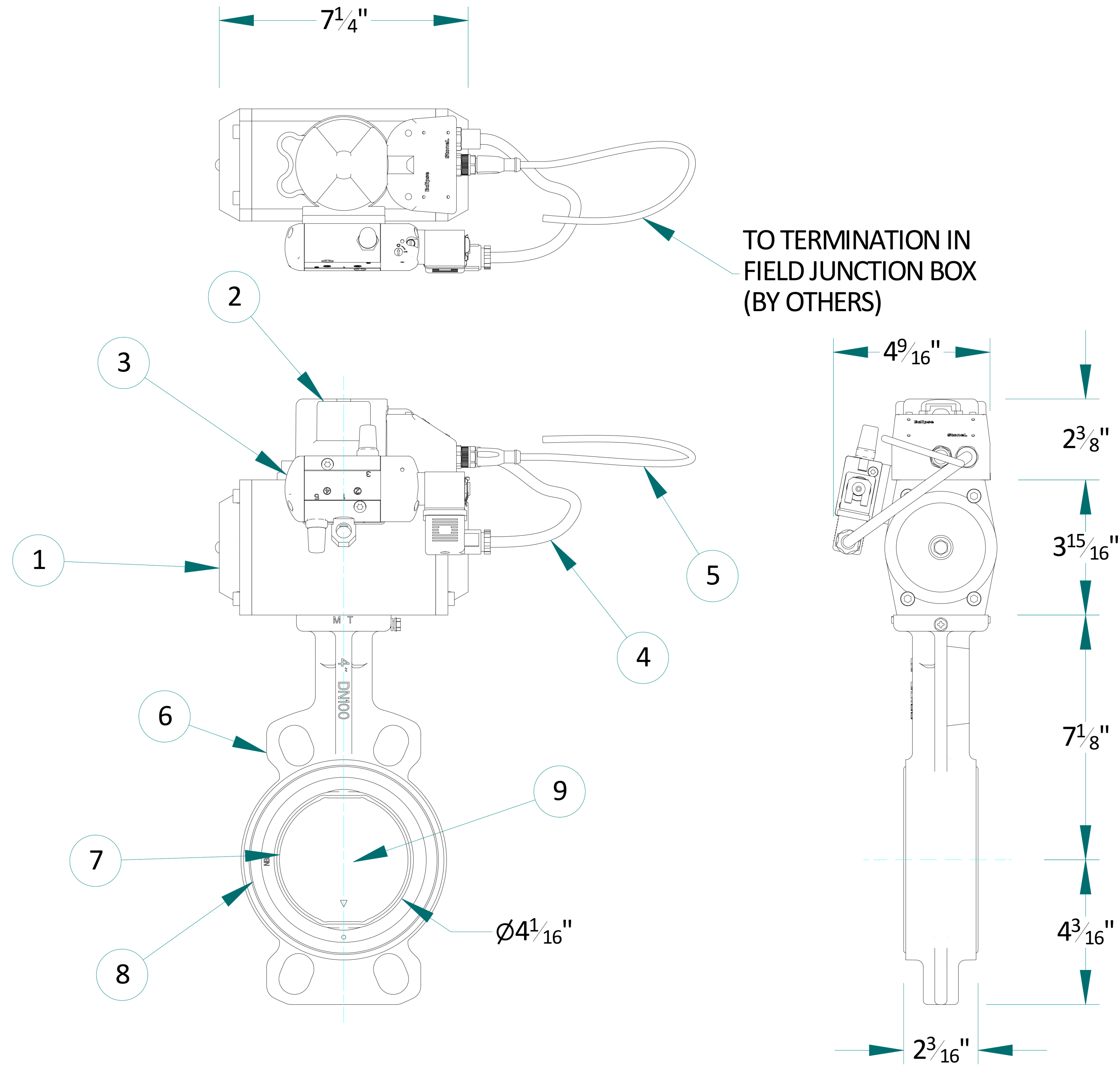


FLOW #	TAG #	SOLENOID ENERGIZED
1.02	XCV1054	TO OPEN
1.10	XCV9110	TO OPEN
1.11	XCV9015	TO CLOSED
1.11	XCV9115	TO CLOSED
3.02	XCV2054	TO OPEN
3.10	XCV9210	TO OPEN
3.11	XCV9215	TO CLOSED

8 - BTM SW C > CLOSED  
7 - BTM SW NC > CLOSED  
6 - TOP SW C > OPEN  
5 - TOP SW NC > OPEN  
4 - SOL PWR 2  
3 - SOL PWR 1  
2 - SOL 2  
1 - SOL 1



COMPONENT LIST			
ITEM	QTY	DESCRIPTION	PART NUMBER
1	1	ACTUATOR	RPB50DA
2	1	LIMIT SWITCH	STONEL ECLIPSE EG EG33P26DM-MMM05, 24VDC
3	1	SOLENOID VALVE	ASCO SC8551A001MS 24/DC
4	1	ELECTRICAL CONNECTOR	ASCO 290414-001
5	1	M12 MOLDED CHORDSET	WOODHEAD 1200650523, 5 PIN, MALE, 6.5'
6	1	BODY	PAINTED CAST IRON
7	1	DISC	316 STAINLESS STEEL
8	1	SEAT	WHITE EPT, FOOD GRADE
9	1	STEM	316 STAINLESS STEEL

NOTES:  
1. ALL DIMENSIONS ARE IN INCHES UNLESS NOTED OTHERWISE  
2. APPROX. WEIGHT: 20 LBS

4" VF-730 BUTTERFLY VALVE  
MARS WRIGLEY CONFECTIONERY  
TOPEKA, KS

APPROVAL REQUIRED  
APPROVED AS SHOWN  
REVISIONS: 03  
3006-005 FRACTION ± 1/16 OVERALL ±120±3/8 >120± 1  
THIS DRAWING IS ON HOLD UNTIL MARS EQUIPMENT RECEIVES ONE SIGNED COPY OF EACH APPROVAL PRINT  
CUSTOMER SIGNATURE

NOTE: UNLESS OTHERWISE SPECIFIED DIMENSIONS ARE IN INCHES  
PROJECT #: VK-1100101733-1  
DRAWING #: 101733300 SHEET #: 1 OF 1  
SCALE ON "D" SIZE PAPER: 1/2 REVISION: A

A 03/06/19 REV DATE ORIGINAL RELEASE DESCRIPTION