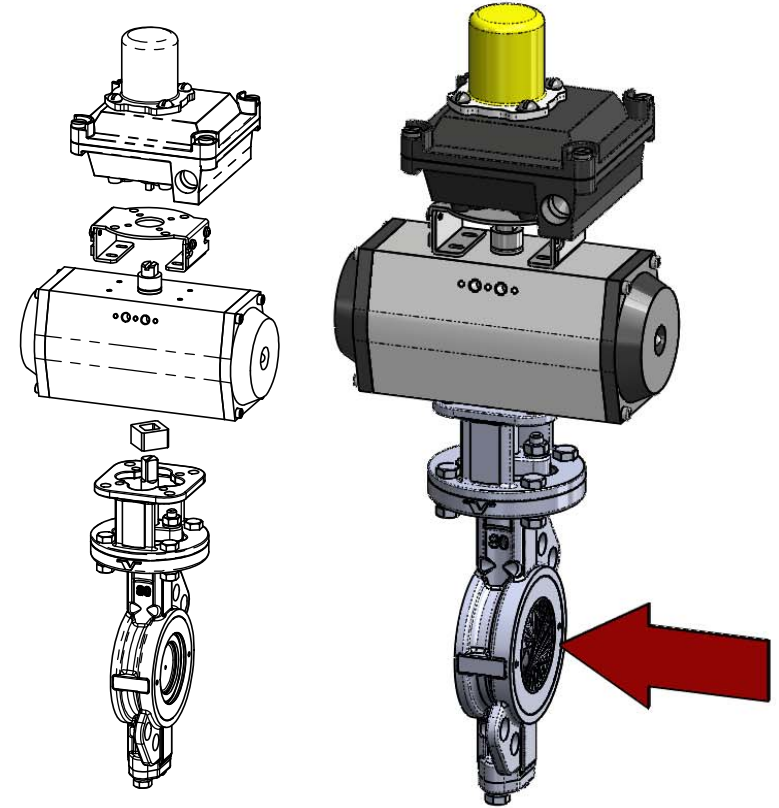



ITEM NO.	QTY.	PART NUMBER	DESCRIPTION
1	1	3VF910-3-11-3	HPBFV
2	1	SK006	Coupler
3	1	RPB110SR10	Actuator
4	1	MFG STD	LIMIT SWITCH MOUNTING BRACKET
5	1	Westlock	LIMIT SWITCH



 Value in Valving Value Valves Co. Ltd. Dba Butterfly Valves and Controls Inc. Grapevine, Texas 76051 www.bvc.com 817-421-5343			TITLE: 3" VF9/RPB110	
			LAST UPDATED: DAS 6/9/2017	
SIZE A	DWG. NO. YV-2341	REV 1		
SCALE: 1:6	SHEET: 1 OF 1	[] MM		