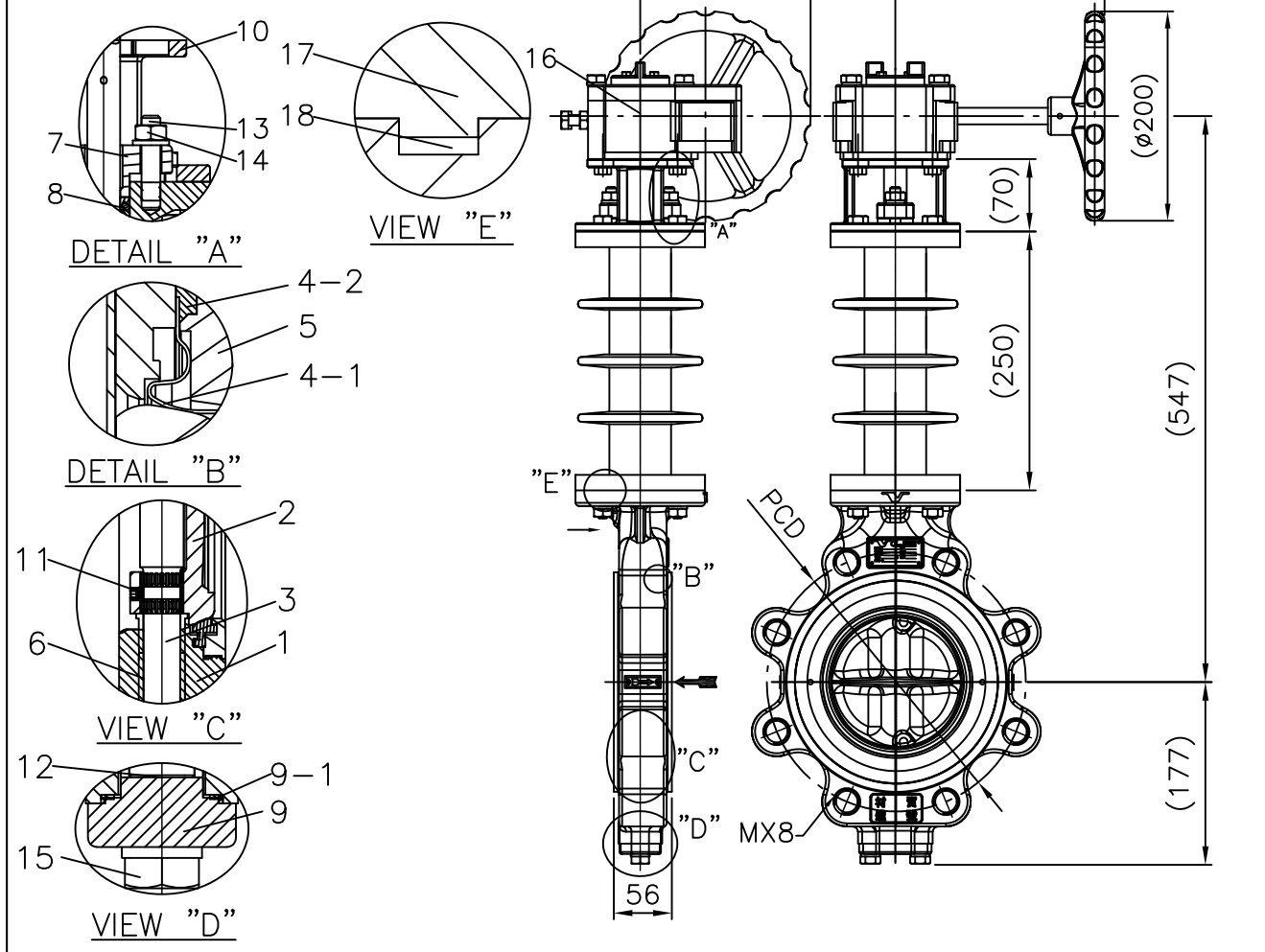


REFER DIMENSIONS MACHINED DIMENSION	TOLERANCE	FLANGE	PCD	M	FLANGE	PCD	M	UNIT: <input type="checkbox"/> MPa <input type="checkbox"/> bar <input type="checkbox"/> PSI <input type="checkbox"/> Kg/cm <sup>2</sup>
0~400	± 2	ASME B16.5 150LB	241.3	3/4"-10UNC	PN10	240	M20	MAX WORKING PRESS
400~800	± 3	JIS 10K	240	M20	PN16	240	M20	SHELL TEST
800 ↑	± 4	B.S.TABLE E	235	3/4"-10UNC	PN20	241.5	M20	SEAT TEST
					PN25	250	M24	TEST FLUID
								BARE SHAFT WEIGHT(kg) 13.5
								GEAR WEIGHT(kg) 7.5
REFER DIMENSIONS ASSEMBLYING DIMENSION (ALL DIMENSION)	TOLERANCE							
	± 1%							

No.	NAME	MATERIAL	REMARK	Spare Parts
1	BODY	A351 Gr. CF8M A351 Gr. CF3M	v	
2	DISC	A351 Gr. CF8M A351 Gr. CF3M	v	
3	SHAFT	A182 Gr. F316 A479 Gr. XM-19	v	
4-1	METAL SEAT	INCONEL 718	v	
4-2	GASKET	GRAPHITE	v	*
5	RETAINER	A351 Gr. CF8M A351 Gr. CF3M	v	
6	BUSHING	STAINLESS STEEL+RTFE	v	*
7	GLAND	A351 Gr. CF8M A351 Gr. CF3M	v	
8	GLAND PACKING	GRAPHITE	v	*
9	BOTTOM COVER	A351 Gr. CF8M A351 Gr. CF3M	v	
9-1	BOTTOM COVER GASKET	GRAPHITE	v	*
10	YOKE	A351 Gr. CF8 A216 Gr. WCB	v	
11	STOP STUD	A193 Gr. B8M	v	*
12	LOCK PLATE	RTFE+316SS	v	*
13	STUD	A193 Gr. B8	v	
14	NUT	A194 Gr. 8	v	
15	BOLT	A193 Gr. B8	v	
16	GEAR BOX(C10)	A126-B	v	
17	EXTENSION BONNET	ASTM A182 F316	v	
18	GASKET	GRAPHITE	v	



	Value Valves Co., Ltd. Dba Butterfly Valves & Controls Grapevine, Texas 76051 www.bvcusa.com	DESIGN BY	CHK BY	AUTH BY	ISSUE DATE	VF-933AH BUTTERFLY VALVE			
		POCKY 2017.02.16		LIN 2017.02.16	2017.02.16	ø150mm GEAR OPERATED			
					MATERIAL	SCALE	1/7	SIZE	DRAWING NO
					UNIT	mm	A4	S933AH015G02C	0