

**LONGVIEW POWER PROJECT
W.O. 02826-001**

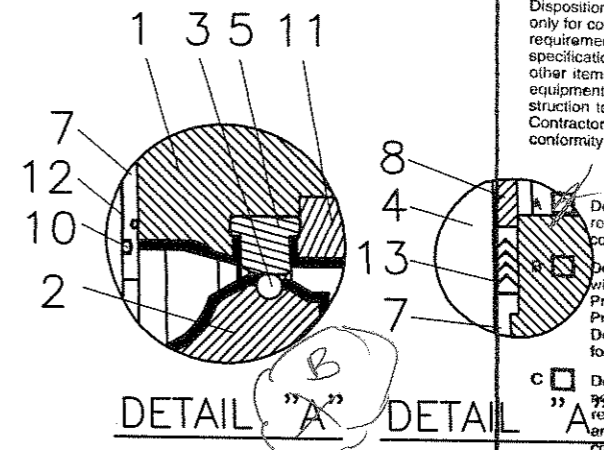
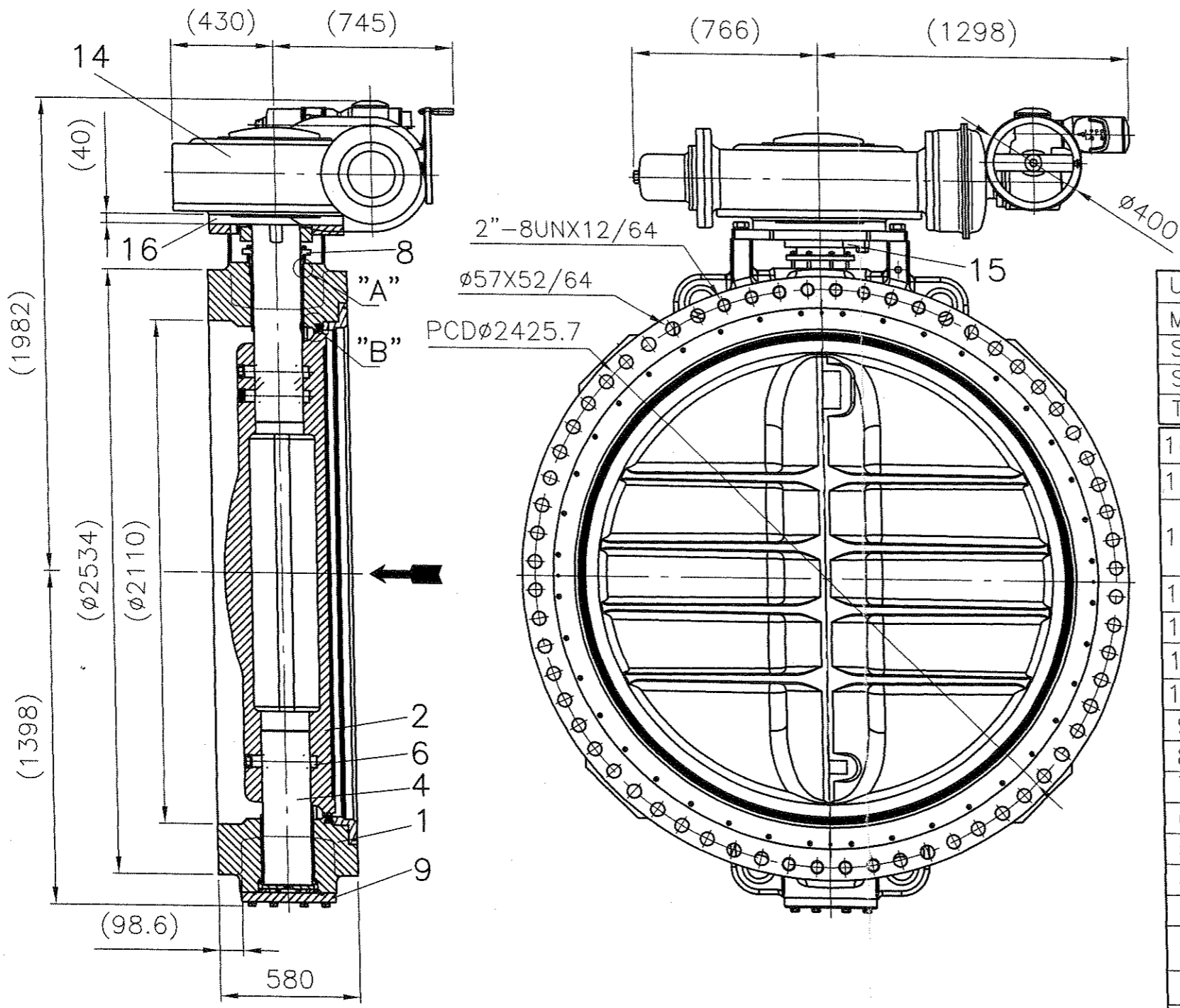
**BURNS & ROE ENTERPRISES, INC.
DOCUMENT DISPOSITION**

Disposition checked below denotes Engineer review only for conformance with certain technical and interface requirements set out in Engineer's drawings or specifications or both. It does not extend to review of other items such as the design of contractor furnished equipment, specific fabrication processes and construction techniques that are solely the responsibility of Contractor. Contractor's work is further subject to conformity with all contractual provisions.

DISPOSITION

- Document conforms with technical and interface requirements. Proceed with contract work covered by this Document.
- Document contains indicated nonconformances with technical and interface requirements. Prepare a conforming Document and resubmit. Proceed only with contract work covered by this Document that is not affected by nonconformances.
- Document contains indicated substantial nonconformances with technical and interface requirements. Prepare a conforming Document and resubmit. Do not proceed with any other contract work covered by this Document.
- Information Only Not Reviewed

PROCESSED BY: *[Signature]* DATE: 10/10/08



UNIT: <input type="checkbox"/> MPa <input type="checkbox"/> bar <input checked="" type="checkbox"/> PSI <input type="checkbox"/> Kg/cm ²			
MAX WORKING PRESS		90	
SHELL TEST		135	
SEAT TEST		99	
TEST FLUID		Water	
16	YOKE	1	ASTM A36
15	LOCK DEVICE	1	ASTM A536-65-45-12
14	ELECTRIC OPERATED	1	AUMA(SA16.1 AM02.1-100/GS400)
13	V-SEAL RING	1	RUBBER ✓
12	BUSH	2	PTFE+SUS316
11	SET RING	1	ASTM A395+HRL
10	O-RING	4	NBR
9	BOTTOM COVER	1	AS BODY
8	GLAND	1	ASTM B62
7	BUSHING	2	ASTM B62
6	PIN	3	ASTM A182 F316
5	SEAT	1	NBR ✓
4	STEM	2	ASTM A182 F304 ✓
3	DISC EDGE	1	ASTM A182 F316 ✓
2	DISC	1	ASTM A395+HRL ✓
1	BODY	1	ASTM A126B+HRL ✓
ITEM NO.	PART NAME	Q'TY	MATERIAL

Customer: Siemens Power Generation
Order No.: 4500548849
Service: Automated Large Butterfly Valves
Tag No.: 10PAB11AA001 & 10PAB12AA001
Specification: M120.01/Specification for Large Diameter Butterfly Valves

Project Name: GenPower Longview Power
Project No.: USA741

VALUE VALVES CO., LTD.
NO.9, CHUNG SHAN RD.,
TU-CHENG INDUSTRIAL DISTRICT,
TAIPEI HSIEN, TAIWAN 236
TEL: +886-2-22698000
FAX: +886-2-22686600
www.valuevalves.com

DESIGN BY	CHK BY	AUTH BY	ISSUE DATE	2008.7.23
STONE	GRANT	LIN	MATERIAL	
2008/7/23	2008/7/23	2008/7/23	SCALE	1/29
			UNIT	m/m

VF-264 BUTTERFLY VALVE
84" (ø2100mm) ELECTRIC OPERATED
ASME B16.1 CLASS 125LB ✓
SIZE A4 DRAWING NO T264210-E31-125LB_1 REV 1

AE340-00-0003
R2 T3