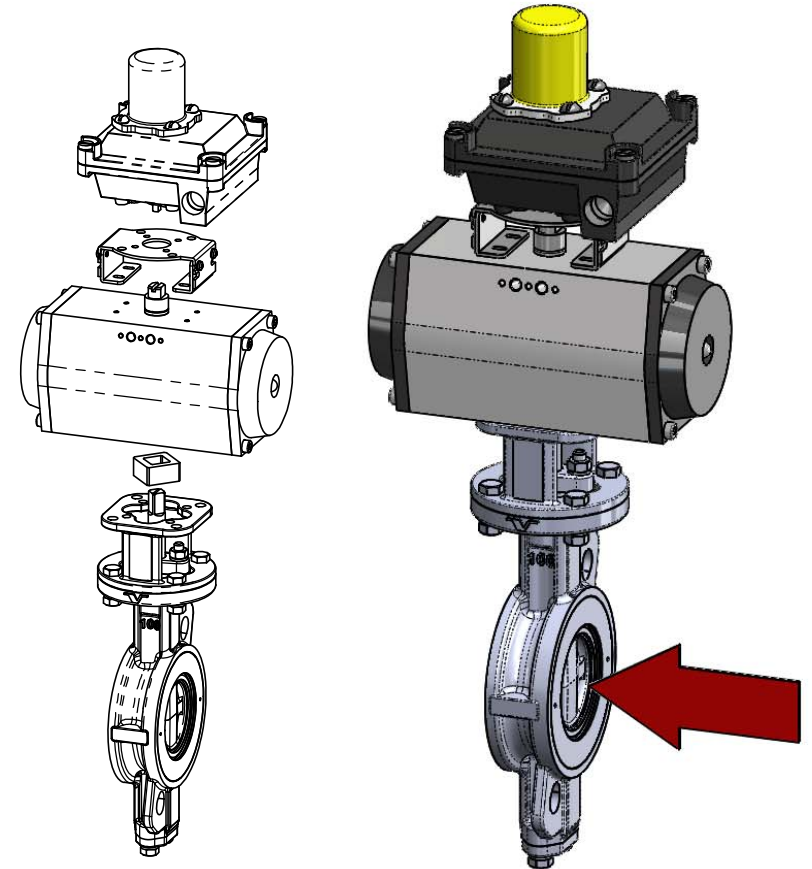
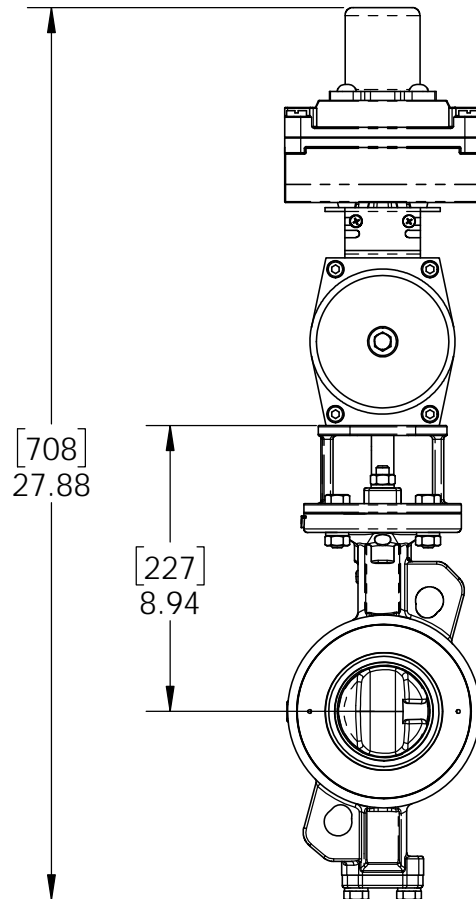
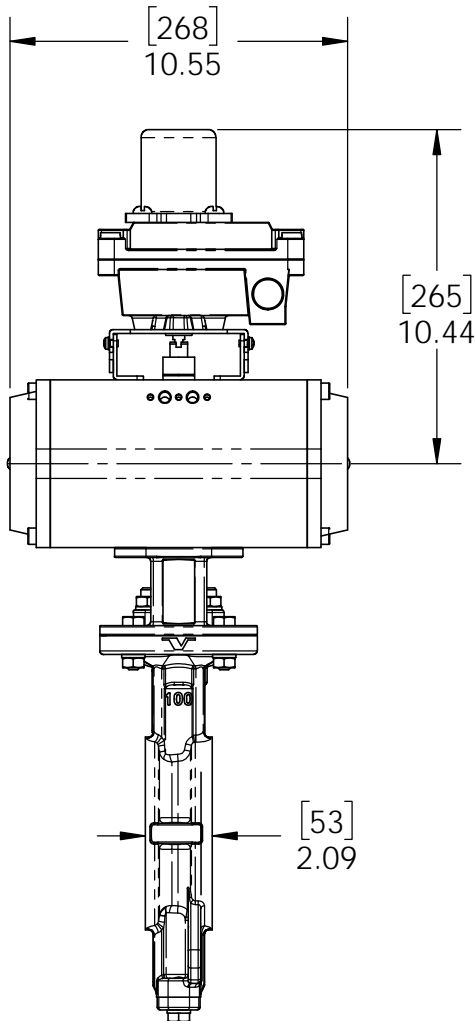


ITEM NO.	QTY.	PART NUMBER	DESCRIPTION
1	1	4VF910-3-11-3	HPBFV
2	1	SK008	Coupler
3	1	RPB160SR10	RACK AND PINION ACTUATOR
4	1	MFG STD	LIMIT SWITCH MOUNTING BRACKET
5	1	Westlock	LIMIT SWITCH



<p>BVC Value in Valving Value Valves Co. Ltd. Dba Butterfly Valves and Controls Inc. Grapevine, Texas 76051 www.bvc.com 817-421-5343</p>	TITLE: 4"VF9/RPB160		
	LAST UPDATED: DAS 6/9/2017		
	SIZE A	DWG. NO. YV-2340	REV 1
	SCALE: 1:6	SHEET: 1 OF 1	[] MM