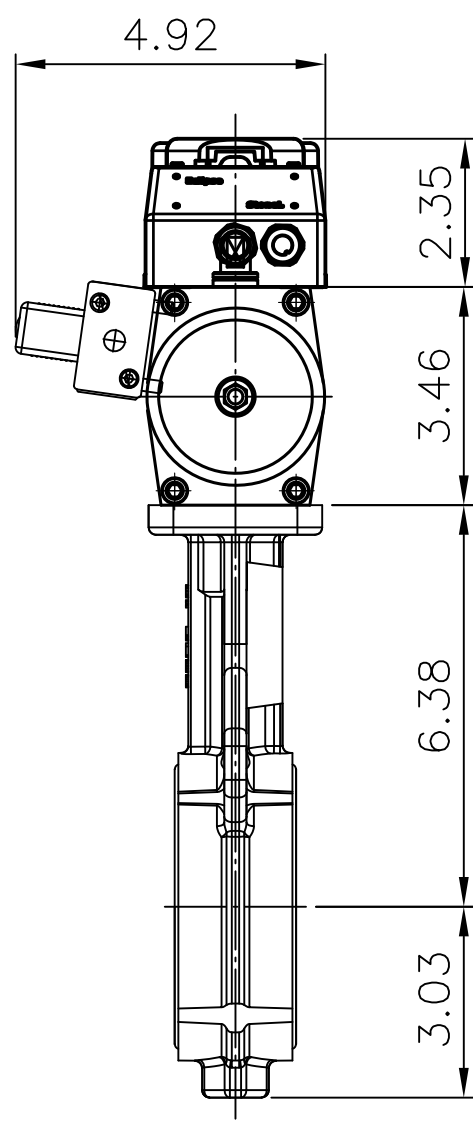
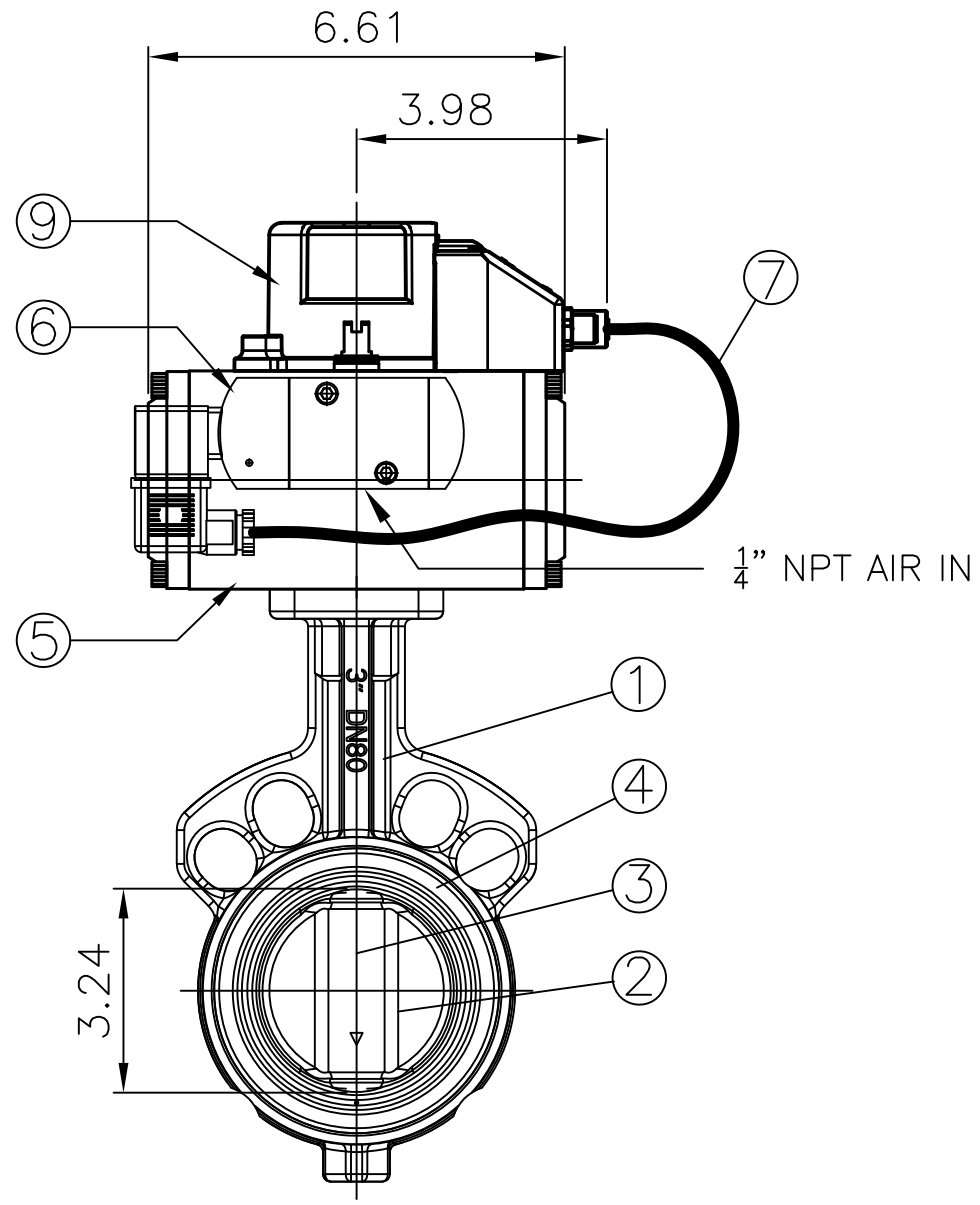
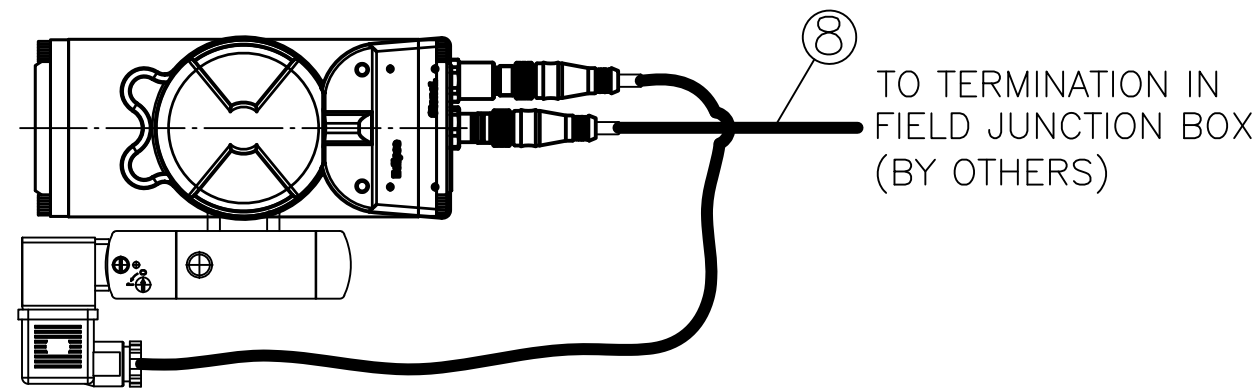


MAC ITEM NO.	MARS ITEM NO.
1.09B	MA-TOP-FBC-RCM-MIX-XCV101



8	BTM SW C	}	CLOSED
7	BTM SW NC		
6	TOP SW C	}	OPEN
5	TOP SW NC		
4	SOL PWR 2		
3	SOL PWR 1		
2	SOL 2		
1	SOL 1		

9	LIMIT SWITCH	1	STONEL ECLIPSE EG EG33P26DM-MMM05, 24VDC
8	M12 MOLDED CORDSET	1	WOODHEAD 1200650523, 5 PIN, MALE, 6.5'
7	ELECTRICAL CONNECTOR	1	ASCO 290414-001
6	SOLENOID VALVE	1	ASCO SC8551A001MS 24/DC
5	ACTUATOR	1	PRB30DA
4	SEAT	1	WHITE EPT, FOOD GRADE
3	STEM	1	316 STAINLESS STEEL
2	DISC	1	316 STAINLESS STEEL
1	BODY	1	CAST IRON
ITEM NO.	PART NAME	Q'TY	MATERIAL



CERTIFIED RELEASE
 EQUIPMENT SHOWN ON THIS DRAWING HAS BEEN RELEASED FOR FABRICATION AS SHOWN.
 DATE: 11/22/2017

DESN BY	CHK BY	AUTH BY	ISSUE DATE	11/22/2017	VF-730 BUTTERFLY VALVE				
POCKY 2011.01.20		STONE 2011.01.20	MATERIAL		3" PNEUMATIC ACTUATED - DOUBLE ACTING				
			SCALE	1:4.5	ASME B16.1 CLASS 125 CAST IRON				
			UNIT	INCH	SIZE A4	DRAWING NO	T730008M-MAC001	REV	3